

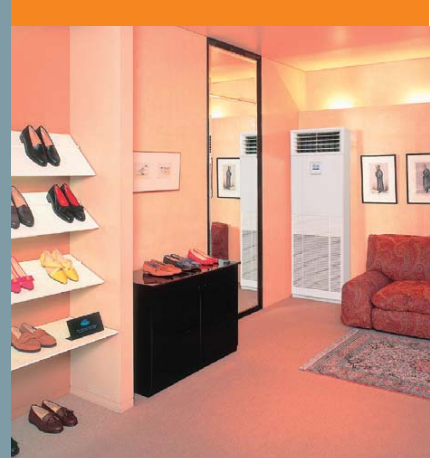
FDF

Indoor Unit Floor Standing

New



FDF 71/100/125/140



- Energy Saving
- Home Leave
- Hi Power
- Vertical Auto Swing
- Weekly Timer
- Favourite Setting



Remote control

Wired

Wireless



(installed)



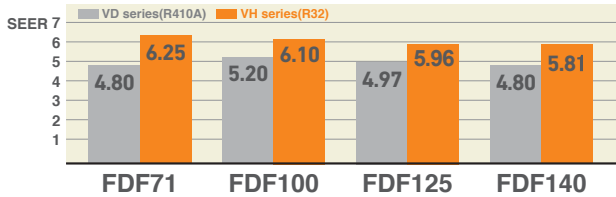
RCN-KIT4-E2
(option)

*Not all functions available with all remote control options.

*The remote control for the FDF-VD series will be RC-E5 type remote.

High Efficiency

Energy efficiency is improved by New heat exchanger design (In case of Hyper INV).

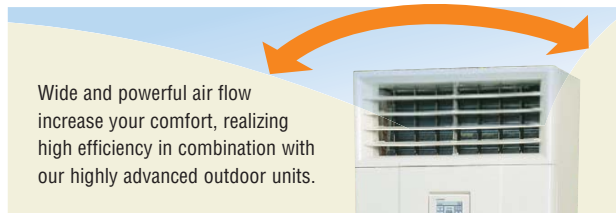


Improved operability and visibility

Equipped with eco-touch remote control as standard equipment. Various functions can now be controlled. (VH series)



Wide and Powerful Air Flow



Equipped with a leak detector device

Can now be safely used with the new refrigerant detector that detects leakage of the refrigerant. (VH series)

Remote control will integrate leak detector functions:
Audible and visible alarm

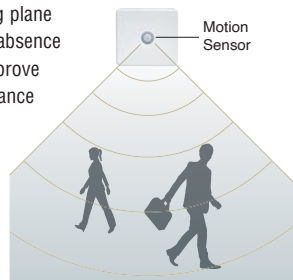


Motion Sensor (Option)

Motion sensor is equipped in the ceiling plane or wall plane and detects the presence/absence and activity of humans in a room to improve the comfort and energy saving performance of the unit.



LB-KIT2



Leak detector



inside

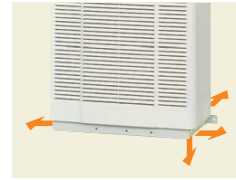


Easy Transportation and Installation Workability

Piping and drain hose connection can be selected out of 4-directions and the selection makes installation workability more effective.
 Due to slim design (Depth: 329mm, weight:49kg), easy transportation and installation are realized.

Easy Maintenance

The surface of heat exchanger can be appeared only removing the front panel. Easy cleaning of heat exchanger is possible.

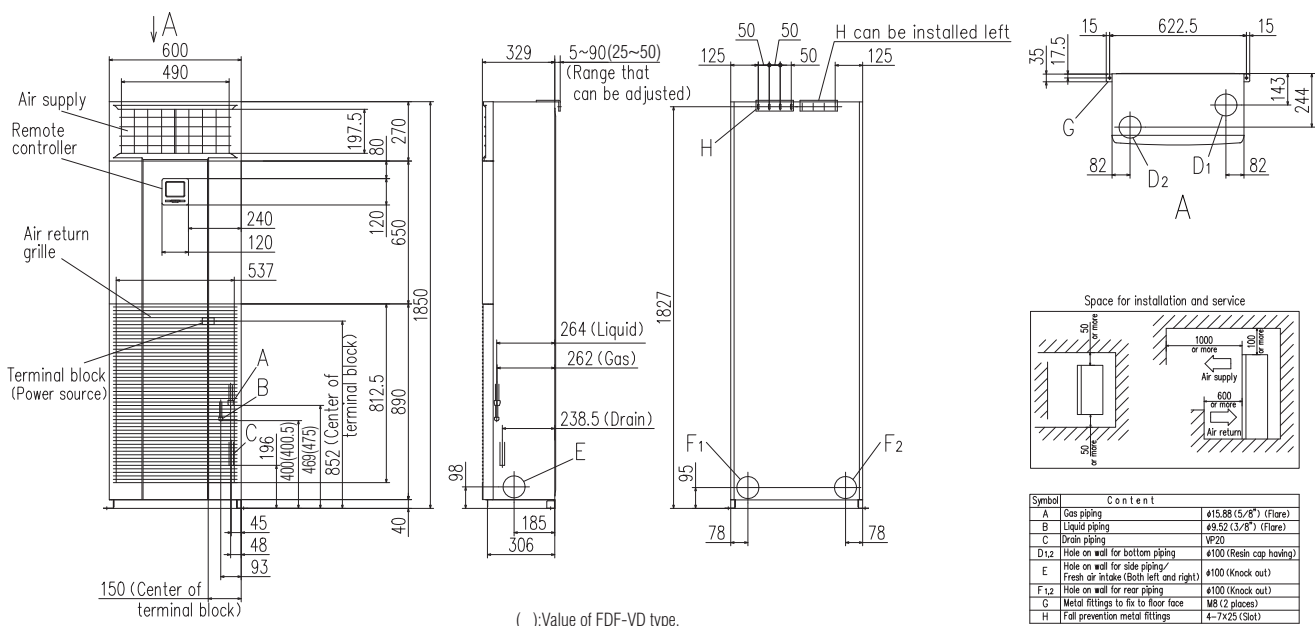


OUTDOOR UNIT

		Hyper Inverter	
FDC		71VNX-W	100~140VN(S)X-W
		71VNX	100~140VN(S)X
model			
Chargeless		30m	
Height x Width x Depth (mm)		750 x 880(+88) x 340	1,300 x 970 x 370

		Micro Inverter			Standard Inverter		
FDC		100~140VN(S)A-W	-	200·250·280VSA-W	71VNP-W	90·100VNP-W	-
		100~140VN(S)A	200VSA	250VSA	71VNP	90VNP1	100VNP
model							
Chargeless		30m			15m		
Height x Width x Depth (mm)		845 x 970 x 370	1,300 x 970 x 370	1,505 x 970 x 370	640 x 800(+71) x 290	750 x 880(+88) x 340	845 x 970 x 370

DIMENSIONS (Unit:mm) - DFD -



SPECIFICATIONS - FDF -

R32			Hyper Inverter			
Set model name			FDF71VNXWVH	FDF100VNXWVH	FDF125VNXWVH	FDF140VNXWVH
Indoor unit			FDF71VH	FDF100VH	FDF125VH	FDF140VH
Outdoor unit			FDC71VNX-W	FDC100VNX-W	FDC125VNX-W	FDC140VNX-W
Power source			1 Phase 220-240V, 50Hz / 220V, 60Hz			
Nominal cooling capacity (Min~Max)			kW 7.1 (3.2 ~ 8.0)	10.0 (3.5 ~ 11.2)	12.5 (3.5 ~ 14.0)	14.0 (3.5 ~ 16.0)
Nominal heating capacity (Min~Max)			kW 8.0 (3.6 ~ 9.0)	11.2 (2.7 ~ 12.5)	14.0 (2.7 ~ 17.0)	16.0 (2.7 ~ 18.0)
Power consumption			kW 1.97 / 2.21	2.66 / 2.94	3.74 / 3.88	4.62 / 4.69
EER/COP			Cooling/Heating 3.61 / 3.62	3.76 / 3.81	3.34 / 3.61	3.03 / 3.41
Inrush current			A 5	5	5	5
Max. current			19.1	25.0	27.0	27.0
Sound power level*1	Indoor	Cooling/Heating	55 / 55	65 / 65	67 / 67	67 / 67
	Outdoor	Cooling/Heating	66 / 66	67 / 67	68 / 70	69 / 71
Sound pressure level*1	Indoor	Cooling (P-Hi/Hi/Me/Lo)	dB(A) 42 / 39 / 35 / 33	53 / 51 / 49 / 44	55 / 51 / 49 / 44	55 / 51 / 49 / 44
		Heating (P-Hi/Hi/Me/Lo)				
	Outdoor	Cooling/Heating	51 / 51	53 / 51	53 / 54	54 / 54
		Cooling (P-Hi/Hi/Me/Lo)	18 / 16 / 14 / 12	27 / 26 / 23 / 19	29 / 26 / 23 / 19	29 / 26 / 23 / 19
Air flow	Indoor	Heating (P-Hi/Hi/Me/Lo)	18 / 16 / 14 / 12	27 / 26 / 23 / 19	29 / 26 / 23 / 19	29 / 26 / 23 / 19
		Cooling/Heating	60 / 50	100 / 100	100 / 100	100 / 100
Exterior dimensions	Indoor	HeightxWidthxDepth	mm	1,850 × 600 × 329		
	Outdoor			750 × 880(+88) × 340	1,300 × 970 × 370	
Net weight	Indoor		kg	47		
	Outdoor			60	97	
Ref.piping size	Liquid/Gas			ømm 9.52(3/8") / 15.88(5/8")		
Refrigerant line (one way) length			m	Max.50	Min. 3, Max.100	
Vertical height differences	Outdoor is higher/lower		m	Max.30 / Max.15	Max.50 / Max.15	
Outdoor operating temperature range	Cooling		°CDB	-15~50*2		
	Heating		°CWB	-20~20		
Air filter, Q'ty				Plastic net x1 (Washable)		
Remote control (option)				wired : RC-EX3A, RC-E5, RCH-E3 wireless : RCN-KIT4-E2		

R32			Hyper Inverter			
Set model name			FDF100VSXWVH	FDF125VSXWVH	FDF140VSXWVH	
Indoor unit			FDF100VH	FDF125VH	FDF140VH	
Outdoor unit			FDC100VSX-W	FDC125VSX-W	FDC140VSX-W	
Power source			3 Phase 380-415V, 50Hz / 380V, 60Hz			
Nominal cooling capacity (Min~Max)			kW 10.0 (3.5 ~ 11.2)	12.5 (3.5 ~ 14.0)	14.0 (3.5 ~ 16.0)	
Nominal heating capacity (Min~Max)			kW 11.2 (2.7 ~ 16.0)	14.0 (2.7 ~ 18.0)	16.0 (2.7 ~ 20.0)	
Power consumption			kW 2.66 / 2.95	3.74 / 3.88	4.62 / 4.70	
EER/COP			Cooling/Heating 3.76 / 3.80	3.34 / 3.61	3.03 / 3.41	
Inrush current			A 5	5	5	
Max. current			14.0	14.0	14.0	
Sound power level*1	Indoor	Cooling/Heating	65 / 65	67 / 67	67 / 67	
	Outdoor	Cooling/Heating	67 / 67	68 / 70	69 / 71	
Sound pressure level*1	Indoor	Cooling (P-Hi/Hi/Me/Lo)	dB(A) 53 / 51 / 49 / 44	55 / 51 / 49 / 44	55 / 51 / 49 / 44	55 / 51 / 49 / 44
		Heating (P-Hi/Hi/Me/Lo)				
	Outdoor	Cooling/Heating	53 / 51	53 / 54	54 / 54	
		Cooling (P-Hi/Hi/Me/Lo)	27 / 26 / 23 / 19	29 / 26 / 23 / 19	29 / 26 / 23 / 19	
Air flow	Indoor	Heating (P-Hi/Hi/Me/Lo)	27 / 26 / 23 / 19	29 / 26 / 23 / 19	29 / 26 / 23 / 19	
		Cooling/Heating	100 / 100	100 / 100	100 / 100	
Exterior dimensions	Indoor	HeightxWidthxDepth	mm	1,850 × 600 × 329		
	Outdoor			1300 × 970 × 370		
Net weight	Indoor		kg	49		
	Outdoor			99		
Ref.piping size	Liquid/Gas			ømm 9.52(3/8") / 15.88(5/8")		
Refrigerant line (one way) length			m	Min. 3, Max.100		
Vertical height differences	Outdoor is higher/lower		m	Max.50 / Max.15		
Outdoor operating temperature range	Cooling		°CDB	-15~50*2		
	Heating		°CWB	-20~20		
Air filter, Q'ty				Plastic net x 1 (washable)		
Remote control (option)				wired : RC-EX3A, RC-E5, RCH-E3 wireless : RCN-KIT4-E2		

NOTES:

The data are measured under the following conditions(R32 : ISO-T1, -H1 / R410A : ISO-T1).
Cooling:Indoor temp. of 27°CDB, 19°CWB, and outdoor temp. of 35°CDB. Heating:Indoor temp. of 20°CDB, and outdoor temp. of 7°CDB, 6°CWB.
*1 : Indicates the value in an anechoic chamber. During operation these values are somewhat higher due to ambient conditions.
*2 : If a cooling operation is conducted when the outdoor air temperature is -5°C or lower, the outdoor unit should be installed at a place where it is not influenced by natural wind. If wind blows, the low pressure will drop and compressor frequency will increase, this will cause the capacity to drop and may cause the unit to break down.
*3 : The values are for one indoor unit operation. (Multi system only)

The values are for simultaneous Multi operation.

R32			Hyper Inverter			
Set model name			FDF140VNXWPH		FDF140VSWPH	
			Twin			
Indoor unit			FDF1VH x 2		FDF1VH x 2	
Outdoor unit			FDC140VNX-W		FDC140VSW-W	
Power source			1 Phase 220-240V, 50Hz / 220V, 60Hz		3 Phase 380-415V, 50Hz / 380V, 60Hz	
Nominal cooling capacity (Min-Max)			14.0 (3.5 ~ 16.0)		14.0 (3.5 ~ 16.0)	
Nominal heating capacity (Min-Max)			16.0 (2.7 ~ 18.0)		16.0 (2.7 ~ 20.0)	
Power consumption			3.78 / 4.26		3.78 / 4.27	
EER/COP			3.71 / 3.75		3.71 / 3.75	
Inrush current			5		5	
Max. current			27.0		14.0	
Sound power level*1	Indoor	Cooling/Heating	55 / 55		55 / 55	
	Outdoor	Cooling/Heating	69 / 71		69 / 71	
Sound pressure level*1	Indoor	Cooling (P-Hi/Hi/Me/Lo)	42 / 39 / 35 / 33		42 / 39 / 35 / 33	
	Outdoor	Cooling/Heating	54 / 54		54 / 54	
Air flow	Indoor	Cooling (P-Hi/Hi/Me/Lo)	18 / 16 / 14 / 12		18 / 16 / 14 / 12	
	Outdoor	Cooling/Heating	100 / 100		100 / 100	
Exterior dimensions	Indoor	HeightxWidthxDepth	1,850 x 600 x 329			
	Outdoor		1300 x 970 x 370			
Net weight	Indoor		47			
	Outdoor		97		99	
Ref.piping size	Liquid/Gas	ømm	9.52(3/8") / 15.88(5/8")			
Refrigerant line (one way) length		m	Min. 3, Max.100			
Vertical height differences	Outdoor is higher/lower	m	Max.50 / Max.15			
Outdoor operating temperature range	Cooling	°CDB	-15~-50*2			
	Heating	°CWB	-20~20			
Air filter, Q'ty	Plastic net x1 (Washable)					
Remote control (option)	wired : RC-EX3A, RC-E5, RCH-E3 wireless : RCN-KIT4-E2					

R410A			Hyper Inverter			
Set model name			FDF71VNXVD1	FDF100VNXVD2	FDF125VNXVD	FDF140VNXVD
Indoor unit			FDF71VD1	FDF100VD2	FDF125VD	FDF140VD
Outdoor unit			FDC71VNX	FDC100VNX	FDC125VNX	FDC140VNX
Power source			1 Phase 220-240V, 50Hz / 220V, 60Hz			
Nominal cooling capacity (Min-Max)			7.1 (3.2 ~ 8.0)	10.0 (4.0 ~ 11.2)	12.5 (5.0 ~ 14.0)	14.0 (5.0 ~ 16.0)
Nominal heating capacity (Min-Max)			8.0 (3.6 ~ 9.0)	11.2 (4.0 ~ 12.5)	14.0 (4.0 ~ 17.0)	16.0 (4.0 ~ 18.0)
Power consumption			2.21 / 2.21	2.83 / 3.04	3.89 / 3.88	4.65 / 4.69
EER/COP			3.21 / 3.62	3.53 / 3.68	3.21 / 3.61	3.01 / 3.41
Inrush current			5	5	5	5
Max. current			17	24	26	26
Sound power level*1	Indoor	Cooling/Heating	61 / 61	65 / 65	73 / 73	73 / 73
	Outdoor	Cooling/Heating	66 / 66	70 / 70	70 / 70	72 / 72
Sound pressure level*1	Indoor	Cooling (P-Hi/Hi/Me/Lo)	42 / 39 / 35 / 33	54 / 50 / 48 / 44	54 / 50 / 48 / 44	54 / 50 / 48 / 44
	Outdoor	Cooling/Heating	51 / 48	48 / 50	48 / 50	49 / 52
Air flow	Indoor	Cooling (P-Hi/Hi/Me/Lo)	20 / 18 / 16 / 14	29 / 26 / 23 / 19	29 / 26 / 23 / 19	29 / 26 / 23 / 19
	Outdoor	Cooling/Heating	60 / 50	100 / 100	100 / 100	100 / 100
Exterior dimensions	Indoor	HeightxWidthxDepth	1,850 x 600 x 329			
	Outdoor		750 x 880(+88) x 340	1,300 x 970 x 370		
Net weight	Indoor		49			
	Outdoor		60	105		
Ref.piping size	Liquid/Gas	ømm	9.52(3/8") / 15.88(5/8")			
Refrigerant line (one way) length		m	Max.50	Max.30 / Max.15		
Vertical height differences	Outdoor is higher/lower	m	Max.50 / Max.15			
Outdoor operating temperature range	Cooling	°CDB	-15~-43*2			
	Heating	°CWB	-20~20			
Air filter, Q'ty	Plastic net x 1 (washable)					
Remote control	wired:RC-E5 (installed) wireless:RCN-KIT4-E2 (option)					

SPECIFICATIONS - FDF -

R410A			Hyper Inverter		
Set model name			FDF100VSXVD2	FDF125VSXVD	FDF140VSXVD
Indoor unit			FDF100VD2	FDF125VD	FDF140VD
Outdoor unit			FDC100VSX	FDC125VSX	FDC140VSX
Power source			3 Phase 380-415V, 50Hz / 380V, 60Hz		
Nominal cooling capacity (Min~Max)		kW	10.0 (4.0 ~ 11.2)	12.5 (5.0 ~ 14.0)	14.0 (5.0 ~ 16.0)
Nominal heating capacity (Min~Max)		kW	11.2 (4.0 ~ 16.0)	14.0 (4.0 ~ 18.0)	16.0 (4.0 ~ 20.0)
Power consumption		kW	2.83 / 3.04	3.89 / 3.88	4.65 / 4.69
EER/COP		Cooling/Heating	3.53 / 3.68	3.21 / 3.61	3.01 / 3.41
Inrush current		A	5	5	5
Max. current			15	15	15
Sound power level*1	Indoor	Cooling/Heating	65 / 65	73 / 73	73 / 73
	Outdoor	Cooling/Heating	70 / 70	70 / 70	72 / 72
Sound pressure level*1	Indoor	Cooling (P-Hi/Hi/Me/Lo)	54 / 50 / 48 / 44	54 / 50 / 48 / 44	54 / 50 / 48 / 44
		Heating (P-Hi/Hi/Me/Lo)	54 / 50 / 48 / 44	54 / 50 / 48 / 44	54 / 50 / 48 / 44
	Outdoor	Cooling/Heating	48 / 50	48 / 50	49 / 52
		Cooling (P-Hi/Hi/Me/Lo)	29 / 26 / 23 / 19	29 / 26 / 23 / 19	29 / 26 / 23 / 19
Air flow	Indoor	Heating (P-Hi/Hi/Me/Lo)	29 / 26 / 23 / 19	29 / 26 / 23 / 19	29 / 26 / 23 / 19
		Cooling/Heating	100 / 100	100 / 100	100 / 100
Exterior dimensions	Indoor	HeightxWidthxDepth	mm	1,850 x 600 x 329	
	Outdoor			1,300 x 970 x 370	
Net weight	Indoor		kg	52	
	Outdoor			105	
Ref.piping size	Liquid/Gas			9.52(3/8") / 15.88(5/8")	
Refrigerant line (one way) length			m	Max.100	
Vertical height differences			Outdoor is higher/lower	m	
Outdoor operating temperature range	Cooling	°CDB		-15~43*2	
	Heating	°CWB		-20~20	
Air filter, Q'ty			Plastic net x 1 (washable)		
Remote control			wired:RC-E5 (installed) wireless:RCN-KIT4-E2 (option)		

The values are for simultaneous Multi operation.

R410A			Hyper Inverter		
Set model name			FDF140VNXVPD1	FDF140VSXVPD1	
Indoor unit			FDF71VD1 x 2	FDF71VD1 x 2	
Outdoor unit			FDC140VNX	FDC140VSX	
Power source			1 Phase 220-240V, 50Hz / 220V, 60Hz	3 Phase 380-415V, 50Hz / 380V 60Hz	
Nominal cooling capacity (Min~Max)		kW	14.0 (5.0 ~ 16.0)	14.0 (5.0 ~ 16.0)	
Nominal heating capacity (Min~Max)		kW	16.0 (4.0 ~ 18.0)	16.0 (4.0 ~ 20.0)	
Power consumption		kW	4.83 / 4.97	4.83 / 4.97	
EER/COP		Cooling/Heating	2.90 / 3.22	2.90 / 3.22	
Inrush current		A	5	5	
Max. current			26	15	
Sound power level*1	Indoor*3	Cooling/Heating	61 / 61	61 / 61	
	Outdoor	Cooling/Heating	72 / 72	72 / 72	
Sound pressure level*1	Indoor*3	Cooling (P-Hi/Hi/Me/Lo)	42 / 39 / 35 / 33	42 / 39 / 35 / 33	
		Heating (P-Hi/Hi/Me/Lo)	42 / 39 / 35 / 33	42 / 39 / 35 / 33	
	Outdoor	Cooling/Heating	49 / 52	49 / 52	
		Cooling (P-Hi/Hi/Me/Lo)	18 / 16 / 14 / 12	18 / 16 / 14 / 12	
Air flow	Indoor*3	Heating (P-Hi/Hi/Me/Lo)	18 / 16 / 14 / 12	18 / 16 / 14 / 12	
		Cooling/Heating	100 / 100	100 / 100	
Exterior dimensions	Indoor	HeightxWidthxDepth	mm	1,850 x 600 x 329	
	Outdoor			1,300 x 970 x 370	
Net weight	Indoor		kg	49	
	Outdoor			105	
Ref.piping size	Liquid/Gas			9.52(3/8") / 15.88(5/8")	
Refrigerant line (one way) length			m	Max.100	
Vertical height differences			Outdoor is higher/lower	m	
Outdoor operating temperature range	Cooling	°CDB		-15~43*2	
	Heating	°CWB		-20~20	
Air filter, Q'ty			Plastic net x 1 (washable)		
Remote control			wired:RC-E5 (installed) wireless:RCN-KIT4-E2 (option)		

NOTES:

The data are measured under the following conditions(R32 : ISO-T1, -H1 / R410A : ISO-T1).

Cooling:Indoor temp. of 27°CDB, 19°CWB, and outdoor temp. of 35°CDB. Heating:Indoor temp. of 20°CDB, and outdoor temp. of 7°CDB, 6°CWB.

*1 : Indicates the value in an anechoic chamber. During operation these values are somewhat higher due to ambient conditions.

*2 : If a cooling operation is conducted when the outdoor air temperature is -5°C or lower, the outdoor unit should be installed at a place where it is not influenced by natural wind. If wind blows, the low pressure will drop and compressor frequency will increase, this will cause the capacity to drop and may cause the unit to break down.

*3 : The values are for one indoor unit operation. (Multi system only)

R32			Micro Inverter		
Set model name			FDI100VNAVH	FDI125VNAVH	FDI140VNAVH
Indoor unit			FDI100VH	FDI125VH	FDI140VH
Outdoor unit			FDC100VNA-W	FDC125VNA-W	FDC140VNA-W
Power source			1 Phase 220-240V, 50Hz / 220V, 60Hz		
Nominal cooling capacity (Min-Max)		kW	10.0 (4.0 ~ 11.2)	12.5 (5.0 ~ 14.0)	13.6 (5.0 ~ 14.5)
Nominal heating capacity (Min-Max)		kW	11.2 (4.0 ~ 12.5)	14.0 (4.0 ~ 16.0)	15.5 (4.0 ~ 16.5)
Power consumption		kW	3.08 / 2.94	4.65 / 4.10	5.35 / 4.98
EER/COP		Cooling/Heating	3.25 / 3.81	2.69 / 3.42	2.54 / 3.11
Inrush current		A	5	5	5
Max. current			24.0	24.0	24.0
Sound power level*1	Indoor	Cooling/Heating	65 / 65	67 / 67	67 / 67
	Outdoor	Cooling/Heating	69 / 70	71 / 71	72 / 73
Sound pressure level*1	Indoor	Cooling (P-Hi/Hi/Me/Lo)	53 / 51 / 49 / 44	55 / 51 / 49 / 44	55 / 51 / 49 / 44
		Heating (P-Hi/Hi/Me/Lo)	53 / 51 / 49 / 44	55 / 51 / 49 / 44	55 / 51 / 49 / 44
	Outdoor	Cooling/Heating	54 / 55	54 / 56	56 / 58
Air flow	Indoor	Cooling (P-Hi/Hi/Me/Lo)	27 / 26 / 23 / 19	29 / 26 / 23 / 19	29 / 26 / 23 / 19
		Heating (P-Hi/Hi/Me/Lo)	27 / 26 / 23 / 19	29 / 26 / 23 / 19	29 / 26 / 23 / 19
	Outdoor	Cooling/Heating	75 / 73	75 / 73	75 / 73
Exterior dimensions	Indoor	HeightxWidthxDepth	mm	1,850 × 600 × 329	
	Outdoor			845 × 970 × 370	
Net weight	Indoor		kg	49	
	Outdoor			77	
Ref.piping size	Liquid/Gas			9.52(3/8") / 15.88(5/8")	
Refrigerant line (one way) length			m	Max.50	
Vertical height differences			Outdoor is higher/lower	m	
				Max.50 / Max.15	
Outdoor operating temperature range	Cooling			°CDB	
	Heating			-15~50*2	
				°CWB	
				-20~20	
Air filter, Q'ty				Plastic net x1 (Washable)	
Remote control (option)				wired : RC-EX3A, RC-E5, RCH-E3 wireless : RCN-KIT4-E2	

R32			Micro Inverter		
Set model name			FDI100VSAVH	FDI125VSAVH	FDI140VSAVH
Indoor unit			FDI100VH	FDI125VH	FDI140VH
Outdoor unit			FDC100VSA-W	FDC125VSA-W	FDC140VSA-W
Power source			3 Phase 380-415V, 50Hz / 380V, 60Hz		
Nominal cooling capacity (Min-Max)		kW	10.0 (4.0 ~ 11.2)	12.5 (5.0 ~ 14.0)	13.6 (5.0 ~ 14.5)
Nominal heating capacity (Min-Max)		kW	11.2 (4.0 ~ 12.5)	14.0 (4.0 ~ 16.0)	15.5 (4.0 ~ 16.5)
Power consumption		kW	3.09 / 2.94	4.65 / 4.09	5.42 / 4.98
EER/COP		Cooling/Heating	3.25 / 3.81	2.69 / 3.42	2.51 / 3.11
Inrush current		A	5	5	5
Max. current			15.0	15.0	15.0
Sound power level*1	Indoor	Cooling/Heating	65 / 65	67 / 67	67 / 67
	Outdoor	Cooling/Heating	69 / 70	71 / 71	72 / 73
Sound pressure level*1	Indoor	Cooling (P-Hi/Hi/Me/Lo)	53 / 51 / 49 / 44	55 / 51 / 49 / 44	55 / 51 / 49 / 44
		Heating (P-Hi/Hi/Me/Lo)	53 / 51 / 49 / 44	55 / 51 / 49 / 44	55 / 51 / 49 / 44
	Outdoor	Cooling/Heating	54 / 55	54 / 56	56 / 58
Air flow	Indoor	Cooling (P-Hi/Hi/Me/Lo)	27 / 26 / 23 / 19	29 / 26 / 23 / 19	29 / 26 / 23 / 19
		Heating (P-Hi/Hi/Me/Lo)	27 / 26 / 23 / 19	29 / 26 / 23 / 19	29 / 26 / 23 / 19
	Outdoor	Cooling/Heating	75 / 73	75 / 73	75 / 73
Exterior dimensions	Indoor	HeightxWidthxDepth	mm	1,850 × 600 × 329	
	Outdoor			845 × 970 × 370	
Net weight	Indoor		kg	49	
	Outdoor			78	
Ref.piping size	Liquid/Gas			9.52(3/8") / 15.88(5/8")	
Refrigerant line (one way) length			m	Max.50	
Vertical height differences			Outdoor is higher/lower	m	
				Max.50 / Max.15	
Outdoor operating temperature range	Cooling			°CDB	
	Heating			-15~50*2	
				°CWB	
				-20~20	
Air filter, Q'ty				Plastic net x 1 (Washable)	
Remote control (option)				wired : RC-EX3A, RC-E5, RCH-E3 wireless : RCN-KIT4-E2	

SPECIFICATIONS - FDF -

The values are for simultaneous Multi operation.

R32			Micro Inverter				
Set model name			FDF140VNAWPHVH	FDF140VSAWPHVH	FDF200VSAWPHVH	FDF250VSAWPHVH	FDF280VSAWPHVH
Indoor unit			FDF71VH x 2	FDF71VH x 2	FDF100VH x 2	FDF125VH x 2	FDF140VH x 2
Outdoor unit			FDC140VNA-W	FDC140VSA-W	FDC200VSA-W	FDC250VSA-W	FDC280VSA-W
Power source			1 Phase 220-240V, 50Hz / 220V, 60Hz		3 Phase 380-415V, 50Hz / 380V, 60Hz		
Nominal cooling capacity (Min~Max)			kW 13.6 (5.0 ~ 14.5)	13.6 (5.0 ~ 14.5)	20.0 (6.8 ~ 22.4)	25.0 (6.8 ~ 28.0)	27.0 (7.5 ~ 31.5)
Nominal heating capacity (Min~Max)			kW 15.5 (4.0 ~ 16.5)	15.5 (4.0 ~ 16.5)	22.4 (6.6 ~ 25.0)	28.0 (5.7 ~ 31.5)	30.0 (6.3 ~ 33.5)
Power consumption			Cooling/Heating kW 4.46 / 4.49	4.58 / 4.49	6.71 / 6.06	9.54 / 8.37	10.93 / 9.47
EER/COP			Cooling/Heating 3.05 / 3.46	3.05 / 3.46	2.98 / 3.69	2.62 / 3.35	2.47 / 3.17
Inrush current			A 5	5	5	5	5
Max. current			24.0	15.0	19.0	20.0	20.0
Sound power level*1			Indoor ³ Cooling/Heating 55 / 55	55 / 55	65 / 65	67 / 67	67 / 67
			Outdoor Cooling/Heating 72 / 73	72 / 73	72 / 74	73 / 75	75 / 77
Sound pressure level*1			Indoor ³ Cooling (P-Hi/Hi/Me/Lo) 42 / 39 / 35 / 33	42 / 39 / 35 / 33	53 / 51 / 49 / 44	55 / 51 / 49 / 44	55 / 51 / 49 / 44
			Indoor ³ Heating (P-Hi/Hi/Me/Lo) 42 / 39 / 35 / 33	42 / 39 / 35 / 33	53 / 51 / 49 / 44	55 / 51 / 49 / 44	55 / 51 / 49 / 44
			Outdoor Cooling/Heating 56 / 58	56 / 58	58 / 59	58 / 62	61 / 63
Air flow			Indoor ³ Cooling (P-Hi/Hi/Me/Lo) 18 / 16 / 14 / 12	18 / 16 / 14 / 12	27 / 26 / 23 / 19	29 / 26 / 23 / 19	29 / 26 / 23 / 19
			Indoor ³ Heating (P-Hi/Hi/Me/Lo) 18 / 16 / 14 / 12	18 / 16 / 14 / 12	27 / 26 / 23 / 19	29 / 26 / 23 / 19	29 / 26 / 23 / 19
			Outdoor Cooling/Heating 75 / 73	75 / 73	148 / 134	148 / 153	136 / 140
Exterior dimensions			Indoor HeightxWidthxDepth 845 x 970 x 370	1,850 x 600 x 329		1505 x 970 x 370	
			Outdoor 47	49			
Net weight			Indoor 77	78	144	145	155
			Outdoor				
Ref.piping size			Liquid/Gas ømm 9.52(3/8") / 15.88(5/8")	9.52(3/8") / 22.22(7/8")		12.7(1/2") / 22.22(7/8")	
Refrigerant line (one way) length			m Max.50	Max.70		Max.60	
Vertical height differences			Outdoor is higher/lower Max.50 / Max.15	Max.50*4 / Max.15			
Outdoor operating temperature range			Cooling °CDB -15~50*2	°CWB -20~20			
			Heating °CWB				
Air filter, Q'ty			Plastic net x1 (Washable)				
Remote control (option)			wired : RC-EX3A, RC-E5, RCH-E3 wireless : RCN-KIT4-E2				

R410A			Micro Inverter		
Set model name			FDF100VNAVD2	FDF125VNAVD	FDF140VNAVD
Indoor unit			FDF100VD2	FDF125VD	FDF140VD
Outdoor unit			FDC100VNA	FDC125VNA	FDC140VNA
Power source			1 Phase 220-240V, 50Hz / 220V, 60Hz		
Nominal cooling capacity (Min~Max)			kW 10.0 (4.0 ~ 11.2)	12.5 (5.0 ~ 13.0)	13.0 (5.0 ~ 13.0)
Nominal heating capacity (Min~Max)			kW 11.2 (4.0 ~ 12.5)	14.0 (4.0 ~ 16.0)	15.5 (4.0 ~ 16.5)
Power consumption			Cooling/Heating kW 3.12 / 2.94	4.65 / 4.14	5.02 / 4.98
EER/COP			Cooling/Heating 3.21 / 3.81	2.69 / 3.38	2.59 / 3.11
Inrush current			A 5	5	5
Max. current			24	24	24
Sound power level*1			Indoor Cooling/Heating 65 / 65	73 / 73	73 / 73
			Outdoor Cooling/Heating 70 / 70	71 / 71	73 / 73
Sound pressure level*1			Indoor Cooling (P-Hi/Hi/Me/Lo) 54 / 50 / 48 / 44	54 / 50 / 48 / 44	54 / 50 / 48 / 44
			Indoor Heating (P-Hi/Hi/Me/Lo) 54 / 50 / 48 / 44	54 / 50 / 48 / 44	54 / 50 / 48 / 44
			Outdoor Cooling/Heating 54 / 56	55 / 57	57 / 59
Air flow			Indoor Cooling (P-Hi/Hi/Me/Lo) 29 / 26 / 23 / 19	29 / 26 / 23 / 19	29 / 26 / 23 / 19
			Indoor Heating (P-Hi/Hi/Me/Lo) 29 / 26 / 23 / 19	29 / 26 / 23 / 19	29 / 26 / 23 / 19
			Outdoor Cooling/Heating 75 / 73	75 / 73	75 / 73
Exterior dimensions			Indoor HeightxWidthxDepth 845 x 970 x 370	1,850 x 600 x 329	
			Outdoor 52	80	
Net weight			Indoor 80	80	
			Outdoor		
Ref.piping size			Liquid/Gas ømm 9.52(3/8") / 15.88(5/8")		
Refrigerant line (one way) length			m Max.50		
Vertical height differences			Outdoor is higher/lower Max.50 / Max.15		
Outdoor operating temperature range			Cooling °CDB -15~50*2	°CWB -20~20	
			Heating °CWB		
Air filter, Q'ty			Plastic net x 1 (Washable)		
Remote control			wired:RC-E5 (installed) wireless:RCN-KIT4-E2 (option)		

NOTES:

The data are measured under the following conditions(R32 : ISO-T1, -H1 / R410A : ISO-T1).
 Cooling:Indoor temp. of 27°CDB, 19°CWB, and outdoor temp. of 35°CDB. Heating:Indoor temp. of 20°CDB, and outdoor temp. of 7°CDB, 6°CWB.
 *1 : Indicates the value in an anechoic chamber. During operation these values are somewhat higher due to ambient conditions.
 *2 : If a cooling operation is conducted when the outdoor air temperature is -5°C or lower, the outdoor unit should be installed at a place where it is not influenced by natural wind. If wind blows, the low pressure will drop and compressor frequency will increase, this will cause the capacity to drop and may cause the unit to break down.
 *3 : The values are for one indoor unit operation. (Multi system only)
 *4 : In case of following conditions:Max.50m(Outdoor unit is higher & Outdoor temperature ≤ 43°C), Max.30m(Outdoor unit is higher & Outdoor temperature > 43°C)

R410A			Micro Inverter			
Set model name			FDF100VSAVD2	FDF125VSAVD	FDF140VSAVD	
Indoor unit			FDF100VD2	FDF125VD	FDF140VD	
Outdoor unit			FDC100VSA	FDC125VSA	FDC140VSA	
Power source			3 Phase 380-415V, 50Hz / 380V, 60Hz			
Nominal cooling capacity (Min-Max)		kW	10.0 (4.0 ~ 11.2)	12.5 (5.0 ~ 14.0)	13.6 (5.0 ~ 14.5)	
Nominal heating capacity (Min-Max)		kW	11.2 (4.0 ~ 12.5)	14.0 (4.0 ~ 16.0)	15.5 (4.0 ~ 16.5)	
Power consumption		kW	3.12 / 2.94	4.65 / 4.14	5.42 / 4.98	
EER/COP		Cooling/Heating	3.21 / 3.81	2.69 / 3.38	2.51 / 3.11	
Inrush current		A	5	5	5	
Max. current			15	15	15	
Sound power level*1	Indoor	Cooling/Heating	65 / 65	73 / 73	73 / 73	
	Outdoor	Cooling/Heating	70 / 70	71 / 71	73 / 73	
Sound pressure level*1	Indoor	Cooling (P-Hi/Hi/Me/Lo)	54 / 50 / 48 / 44	54 / 50 / 48 / 44	54 / 50 / 48 / 44	
		Heating (P-Hi/Hi/Me/Lo)	54 / 50 / 48 / 44	54 / 50 / 48 / 44	54 / 50 / 48 / 44	
	Outdoor	Cooling/Heating	54 / 56	55 / 57	57 / 59	
		Cooling (P-Hi/Hi/Me/Lo)	29 / 26 / 23 / 19	29 / 26 / 23 / 19	29 / 26 / 23 / 19	
Air flow	Indoor	Heating (P-Hi/Hi/Me/Lo)	29 / 26 / 23 / 19	29 / 26 / 23 / 19	29 / 26 / 23 / 19	
		Cooling/Heating	75 / 73	75 / 73	75 / 73	
Exterior dimensions	Indoor	HeightxWidthxDepth	mm	1,850 x 600 x 329		
	Outdoor			845 x 970 x 370		
Net weight	Indoor		kg	52		
	Outdoor			82		
Ref.piping size	Liquid/Gas			9.52(3/8") / 15.88(5/8")		
Refrigerant line (one way) length				Max.50		
Vertical height differences		Outdoor is higher/lower		Max.50 / Max.15		
Outdoor operating temperature range	Cooling	°CDB	-15~50*2			
	Heating	°CWB	-20~20			
Air filter, Q*ty			Plastic net x 1(Washable)			
Remote control			wired:RC-E5 (installed) wireless:RCN-KIT4-E2 (option)			

The values are for simultaneous Multi operation.

R410A			Micro Inverter			
Set model name			FDF140VNAPVD1	FDF140VSAPVD1	FDF200VSAPVD2	FDF250VSAPVD
Indoor unit			FDF71VD1 x 2	FDF71VD1 x 2	FDF100VD2 x 2	FDF125VD x 2
Outdoor unit			FDC140VNA	FDC140VSA	FDC200VSA	FDC250VSA
Power source			1 Phase 220-240V, 50Hz / 220V, 60Hz	3 Phase 380-415V, 50Hz / 380V, 60Hz		
Nominal cooling capacity (Min-Max)		kW	13.6 (5.0 ~ 14.5)	13.6 (5.0 ~ 14.5)	19.0 (5.2 ~ 22.4)	24.0 (6.9 ~ 28.0)
Nominal heating capacity (Min-Max)		kW	15.5 (4.0 ~ 16.5)	15.5 (4.0 ~ 16.5)	22.4 (3.3 ~ 25.0)	27.0 (5.5 ~ 31.5)
Power consumption		kW	5.15 / 4.35	5.15 / 4.35	6.74 / 6.42	9.15 / 8.49
EER/COP		Cooling/Heating	2.64 / 3.56	2.64 / 3.56	2.82 / 3.49	2.62 / 3.18
Inrush current		A	5	5	5	5
Max. current			24	15	20	21
Sound power level*1	Indoor*3	Cooling/Heating	61 / 61	61 / 61	65 / 65	73 / 73
	Outdoor	Cooling/Heating	73 / 73	73 / 73	72 / 74	73 / 75
Sound pressure level*1	Indoor*3	Cooling (P-Hi/Hi/Me/Lo)	42 / 39 / 35 / 33	42 / 39 / 35 / 33	54 / 50 / 48 / 44	54 / 50 / 48 / 44
		Heating (P-Hi/Hi/Me/Lo)	42 / 39 / 35 / 33	42 / 39 / 35 / 33	54 / 50 / 48 / 44	54 / 50 / 48 / 44
	Outdoor	Cooling/Heating	57 / 59	57 / 59	58 / 59	59 / 62
		Cooling (P-Hi/Hi/Me/Lo)	18 / 16 / 14 / 12	18 / 16 / 14 / 12	29 / 26 / 23 / 19	29 / 26 / 23 / 19
Air flow	Indoor*3	Heating (P-Hi/Hi/Me/Lo)	18 / 16 / 14 / 12	18 / 16 / 14 / 12	29 / 26 / 23 / 19	29 / 26 / 23 / 19
		Cooling/Heating	75 / 73	75 / 73	135 / 135	143 / 151
Exterior dimensions	Indoor	HeightxWidthxDepth	mm	1,850 x 600 x 329		
	Outdoor			845 x 970 x 370	1,300 x 970 x 370	1,505 x 970 x 370
Net weight	Indoor		kg	49	52	52
	Outdoor			80	82	115
Ref.piping size	Liquid/Gas			9.52(3/8") / 22.22(7/8")		12.7(1/2") / 22.22(7/8")
Refrigerant line (one way) length				Max.50		
Vertical height differences		Outdoor is higher/lower		Max.50 / Max.15		
Outdoor operating temperature range	Cooling	°CDB	-15~50*2			
	Heating	°CWB	-20~20		-15~20	
Air filter, Q*ty			Plastic net x 1(washable)			
Remote control			wired:RC-E5 (installed) wireless:RCN-KIT4-E2 (option)			

SPECIFICATIONS - FDF -

R32			Standard Inverter		
Set model name			FDF71VNPVWH	FDF90VNPVWH	FDF100VNPVWH
Indoor unit			FDF71VH	FDF100VH	FDF100VH
Outdoor unit			FDC71VNP-W	FDC90VNP-W	FDC100VNP-W
Power source			1 Phase 220-240V, 50Hz / 220V, 60Hz		
Nominal cooling capacity (Min~Max)		kW	7.1 (1.5 ~ 7.3)	9.0 (2.1 ~ 9.5)	10.0 (2.1 ~ 10.2)
Nominal heating capacity (Min~Max)		kW	7.1 (1.1 ~ 7.3)	9.0 (1.7 ~ 9.5)	10.0 (1.7 ~ 10.4)
Power consumption		Cooling/Heating kW	2.51 / 2.02	2.50 / 2.24	3.39 / 2.71
EER/COP		Cooling/Heating	2.82 / 3.51	3.60 / 4.02	2.95 / 3.69
Inrush current		A	5	5	5
Max. current			15.8	19.0	19.0
Sound power level*1	Indoor	Cooling/Heating	55 / 55	65 / 65	65 / 65
	Outdoor	Cooling/Heating	67 / 67	67 / 66	68 / 67
Sound pressure level*1	Indoor	Cooling (P-Hi/Hi/Me/Lo)	42 / 39 / 35 / 33	53 / 51 / 49 / 44	53 / 51 / 49 / 44
		Heating (P-Hi/Hi/Me/Lo)	42 / 39 / 35 / 33	53 / 51 / 49 / 44	53 / 51 / 49 / 44
	Outdoor	Cooling/Heating	54 / 54	55 / 53	56 / 54
		Cooling/Heating	54 / 54	55 / 53	56 / 54
Air flow	Indoor	Cooling (P-Hi/Hi/Me/Lo)	18 / 16 / 14 / 12	27 / 26 / 23 / 19	27 / 26 / 23 / 19
		Heating (P-Hi/Hi/Me/Lo)	18 / 16 / 14 / 12	27 / 26 / 23 / 19	27 / 26 / 23 / 19
	Outdoor	Cooling/Heating	42 / 42	59 / 55	63 / 55
Exterior dimensions	Indoor	HeightxWidthxDepth	mm	1,850 × 600 × 329	
	Outdoor			640×800(+71)×290	750×880(+88)×340
Net weight	Indoor		kg	47	49
	Outdoor			45	57
Ref.piping size		Liquid/Gas	ømm	6.35(1/4") / 12.7(1/2")	
Refrigerant line (one way) length			m	26	25
Vertical height differences		Outdoor is higher/lower	m	Max.20 / Max.20	
Outdoor operating temperature range	Cooling		°CDB	-15~46*2	
	Heating		°CWB	-15~20	
Air filter, Q'ty			Plastic net x1 (Washable)		
Remote control (option)			wired : RC-EX3A, RC-E5, RCH-E3 wireless : RCN-KIT4-E2		

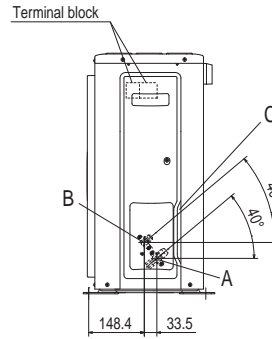
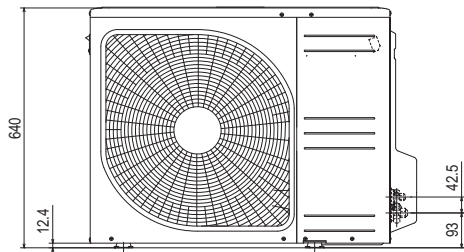
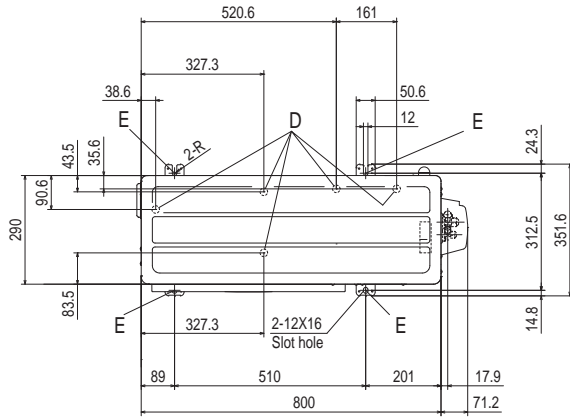
R410A			Standard Inverter		
Set model name			FDF71VNPVD1	FDF90VNP1VD2	FDF100VNP1VD2
Indoor unit			FDF71VD1	FDF100VD2	FDF100VD2
Outdoor unit			FDC71VNP	FDC90VNP1	FDC100VNP
Power source			1 Phase 220-240V, 50Hz / 220V, 60Hz		
Nominal cooling capacity (Min~Max)		kW	7.1 (1.4 ~ 7.1)	9.0 (1.9 ~ 9.0)	10.0 (2.8 ~ 11.2)
Nominal heating capacity (Min~Max)		kW	7.1 (1.0 ~ 7.1)	9.0 (1.5 ~ 9.0)	11.2 (2.5 ~ 12.5)
Power consumption		Cooling/Heating kW	2.67 / 2.04	2.81 / 2.25	3.19 / 3.09
EER/COP		Cooling/Heating	2.66 / 3.48	3.20 / 4.00	3.13 / 3.62
Inrush current		A	5	5	5
Max. current			14.5	18.0	21.0
Sound power level*1	Indoor	Cooling/Heating	61 / 61	65 / 65	65 / 65
	Outdoor	Cooling/Heating	67 / 67	69 / 69	70 / 70
Sound pressure level*1	Indoor	Cooling (P-Hi/Hi/Me/Lo)	42 / 39 / 35 / 33	54 / 50 / 48 / 44	54 / 50 / 48 / 44
		Heating (P-Hi/Hi/Me/Lo)	42 / 39 / 35 / 33	54 / 50 / 48 / 44	54 / 50 / 48 / 44
	Outdoor	Cooling/Heating	54 / 54	57 / 55	57 / 61
		Cooling/Heating	54 / 54	57 / 55	57 / 61
Air flow	Indoor	Cooling (P-Hi/Hi/Me/Lo)	20 / 18 / 16 / 14	29 / 26 / 23 / 19	29 / 26 / 23 / 19
		Heating (P-Hi/Hi/Me/Lo)	20 / 18 / 16 / 14	29 / 26 / 23 / 19	29 / 26 / 23 / 19
	Outdoor	Cooling/Heating	36 / 36	63 / 49.5	75 / 79
Exterior dimensions	Indoor	HeightxWidthxDepth	mm	1,850 × 600 × 329	
	Outdoor			640 × 800(+71) × 290	750 × 880(+88) × 340
Net weight	Indoor		kg	49	52
	Outdoor			45	57
Ref.piping size		Liquid/Gas	ømm	6.35(1/4") / 12.7(1/2")	
Refrigerant line (one way) length			m	Max.23	Max.30
Vertical height differences		Outdoor is higher/lower	m	Max.20 / Max.20	
Outdoor operating temperature range	Cooling		°CDB	-15~46*2	
	Heating		°CWB	-15~20	
Air filter, Q'ty			Plastic net x1 (Washable)		
Remote control			wired:RC-E5 (installed) wireless:RCN-KIT4-E2 (option)		

NOTES:

The data are measured under the following conditions(R32 : ISO-T1, -H1 / R410A : ISO-T1).
Cooling:Indoor temp. of 27°CDB, 19°CWB, and outdoor temp. of 35°CDB. Heating:Indoor temp. of 20°CDB, and outdoor temp. of 7°CDB, 6°CWB.
*1 : Indicates the value in an anechoic chamber. During operation these values are somewhat higher due to ambient conditions.
*2 : If a cooling operation is conducted when the outdoor air temperature is -5°C or lower, the outdoor unit should be installed at a place where it is not influenced by natural wind. If wind blows, the low pressure will drop and compressor frequency will increase, this will cause the capacity to drop and may cause the unit to break down.

Outdoor Unit Dimensions (Unit:mm)

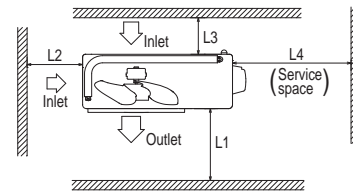
SRC40ZSX-W1, 50ZSX-W2, 60ZSX-W1
SRC40ZSX-S, 50ZSX-S, 60ZSX-S



Symbol	Content	
A	Service valve connection (Gas side)	φ 12.7(1/2")(Flare)
B	Service valve connection (Liquid side)	φ 6.35(1/4")(Flare)
C	Pipe/ cable draw-out hole	
D	Drain discharge hole	φ 20x5 places
E	Anchor bolt hole	M10-12x4 places

Notes

- (1) The unit must not be surrounded by walls on the four sides.
- (2) The unit must be fixed with anchor bolts. An anchor bolt must not protrude more than 15mm.
- (3) If the unit is installed in the location where there is a possibility of strong winds, place the unit such that the direction of air from the outlet gets perpendicular to the wind direction.
- (4) Leave 200mm or more space above the unit.
- (5) The wall height on the outlet side should be 1200mm or less.
- (6) The model name label is attached on the front side of the unit.

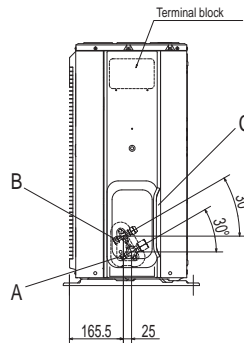
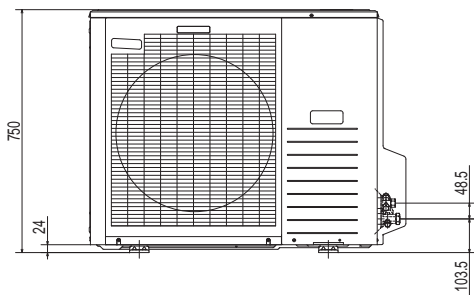
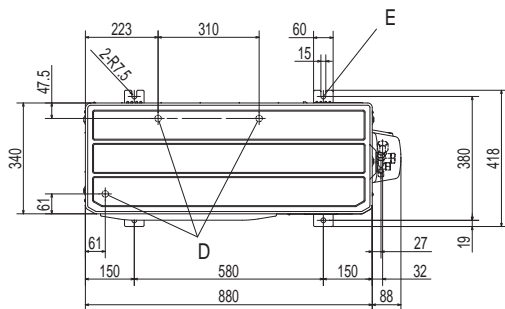


Minimum installation space

Examples of installation	Size			
	I	II	III	IV
L1	Open	280	280	180
L2	100	75	Open	Open
L3	100	80	80	80
L4	250	Open	250	Open

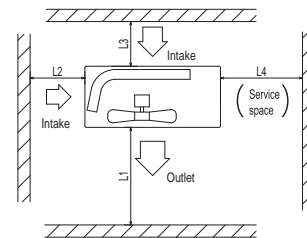
FDC71VNX-W FDC71VNX

Symbol	Content	
A	Service valve connection (gas side)	φ 15.88 (5/8") (Flare)
B	Service valve connection (liquid side)	φ 9.52 (3/8") (Flare)
C	Pipe/cable draw-out hole	
D	Drain discharge hole	φ 20 x 3places
E	Anchor bolt hole	M10 x 4places



Notes

- (1) It must not be surrounded by walls on the four sides.
- (2) The unit must be fixed with anchor bolts. An anchor bolt must not protrude more than 15mm.
- (3) Where the unit is subject to strong winds, lay it in such a direction that the blower outlet faces perpendicularly to the dominant wind direction.
- (4) Leave 1m or more space above the unit.
- (5) A wall in front of the blower outlet must not exceed the units height.
- (6) The model name label is attached on the lower right corner of the front panel.

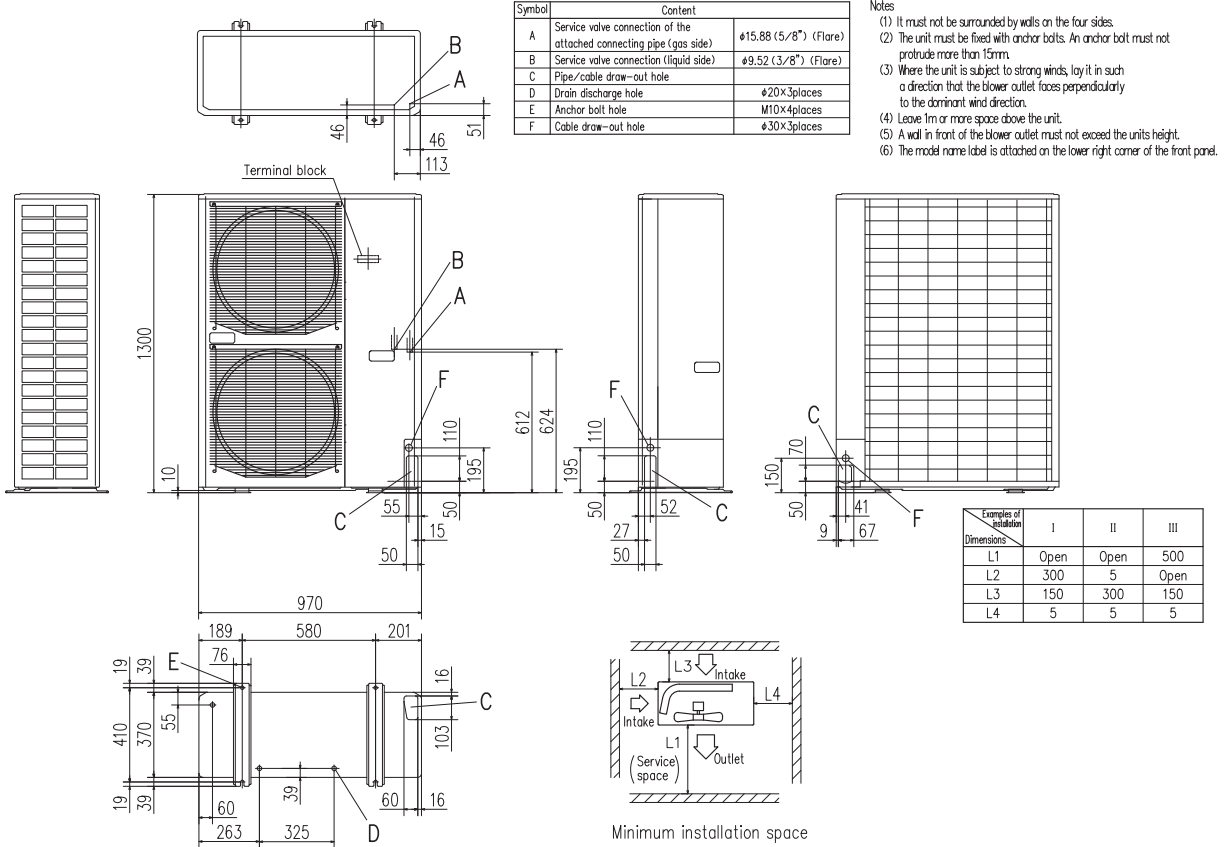


Minimum installation space

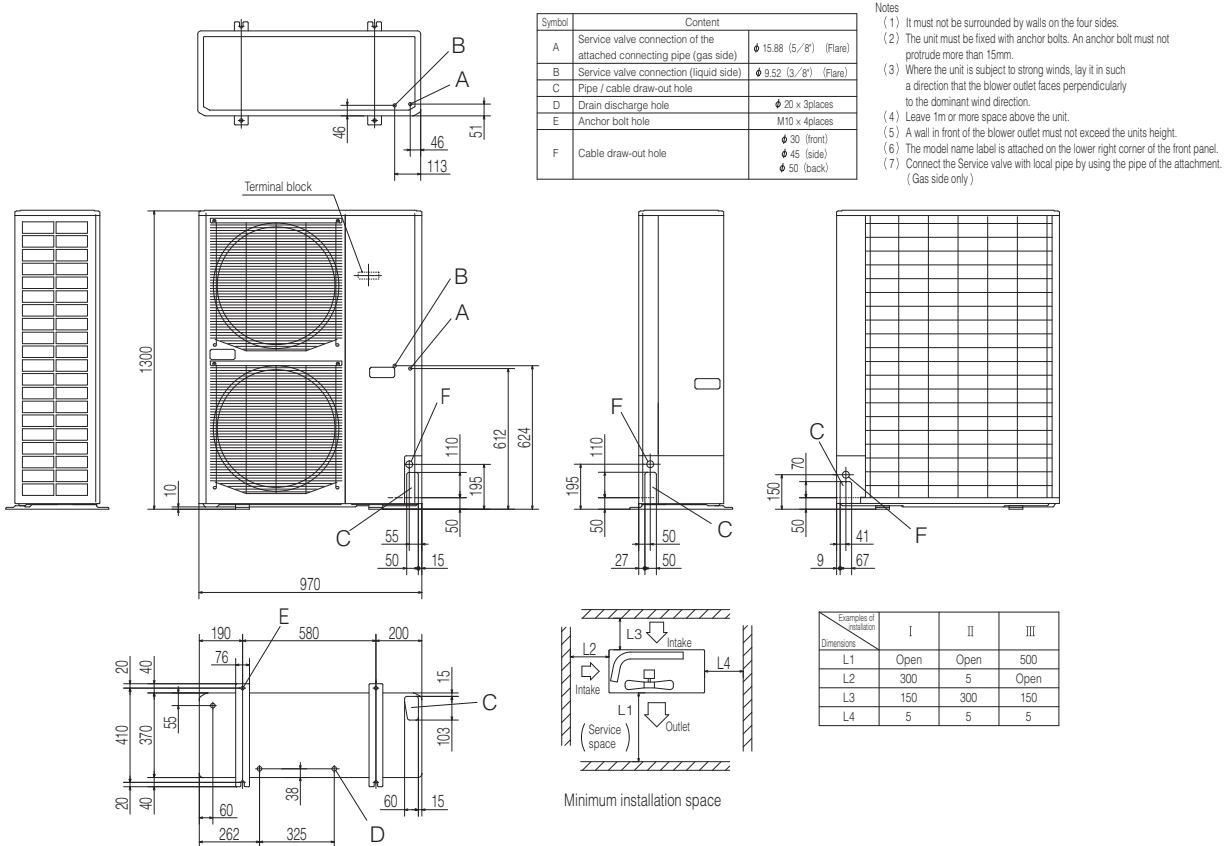
Examples of installation	Dimensions		
	I	II	III
L1	Open	Open	500
L2	300	250	Open
L3	100	150	100
L4	250	250	250

Outdoor Unit Dimensions (Unit:mm)

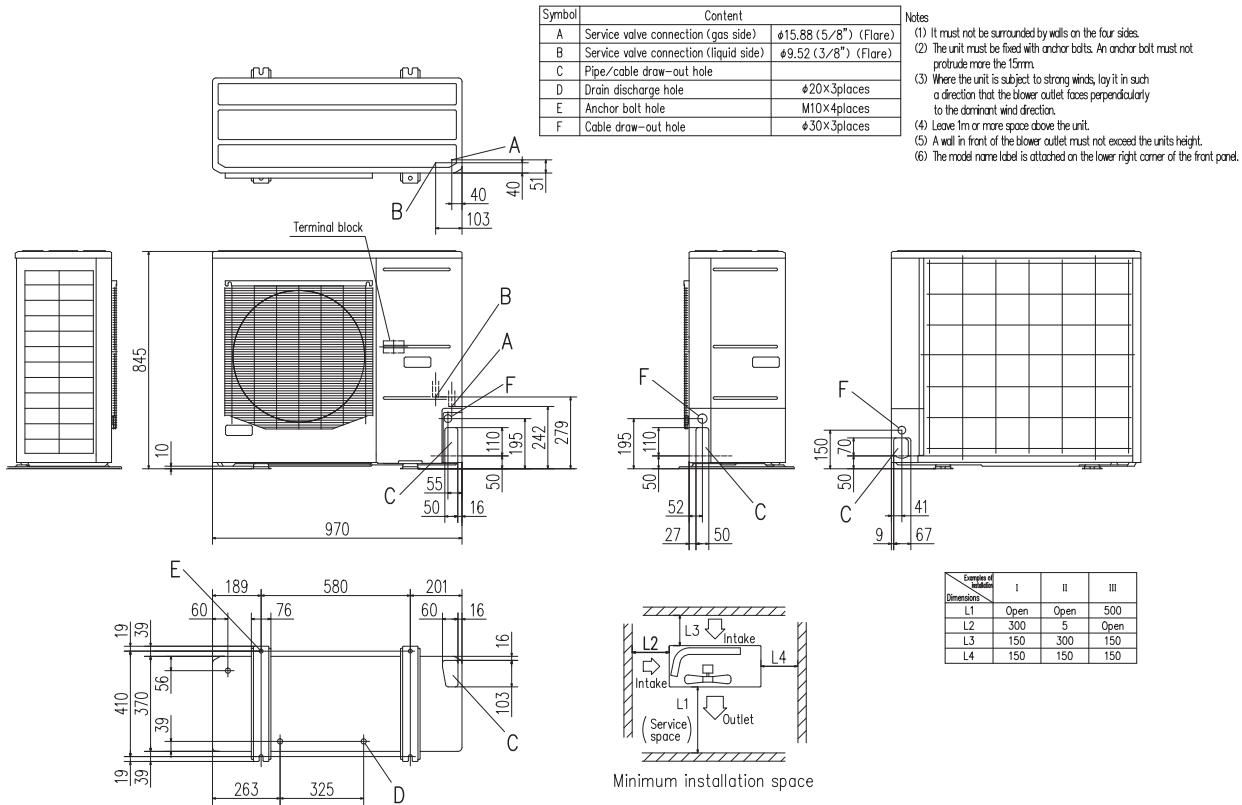
FDC100VNX-W, 125VNX-W, 140VNX-W, 100VSX-W, 125VSX-W, 140VSX-W



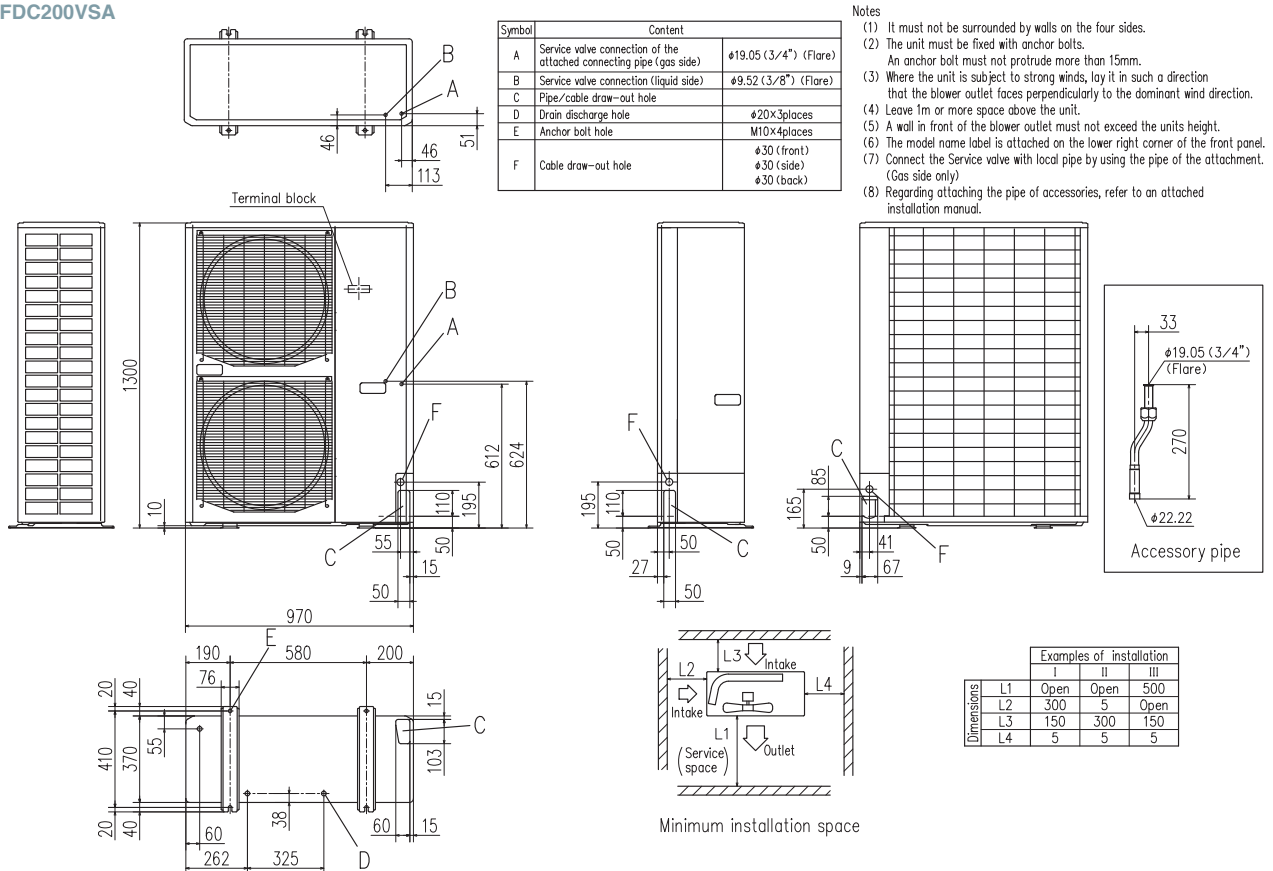
FDC100VNX, 125VNX, 140VNX, 100VSX, 125VSX, 140VSX



FDC100VNA-W, 125VNA-W, 140VNA-W, 100VSA-W, 125VSA-W, 140VSA-W
 FDC100VNA, 125VNA, 140VNA, 100VSA, 125VSA, 140VSA

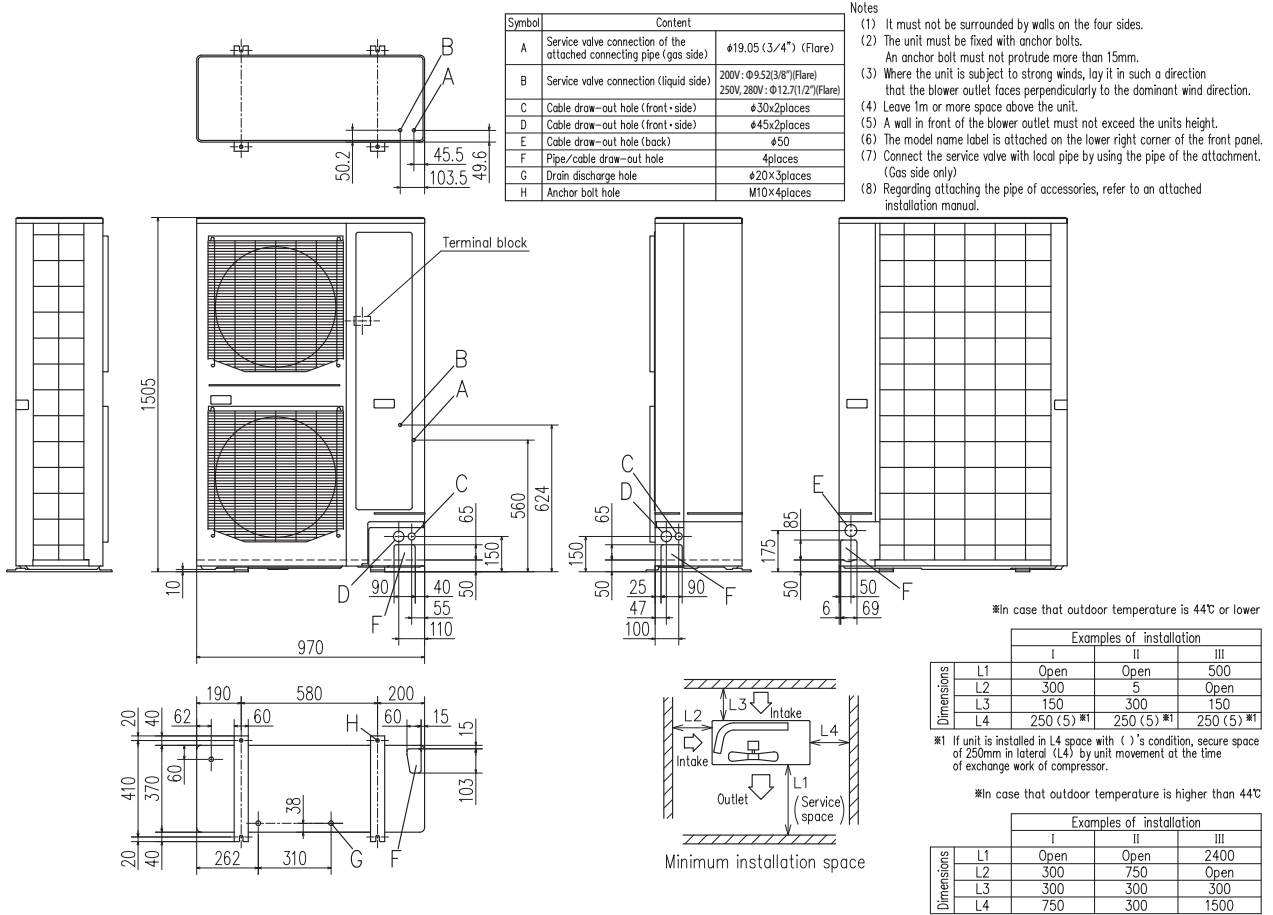


FDC200VSA



Outdoor Unit Dimensions (Unit:mm)

FDC200VSA-W, 250VSA-W, FDC280VSA-W
FDC250VSA



FDC71VNP-W
FDC71VNP

